



# Synergy AH4

Hydraulic 4-roll  
Plate Bending Rolls

## YOUR METAL FABRICATING MACHINERY SPECIALISTS

Since 2009, we have been committed to providing our customers the highest level of professionalism, integrity and service. This commitment is what helped us to achieve our reputation as a leader in the metal fabricating machinery industry.

[www.TrilogyMachinery.com](http://www.TrilogyMachinery.com)



Metal  
Fabricating  
Machinery

Plate Rolls

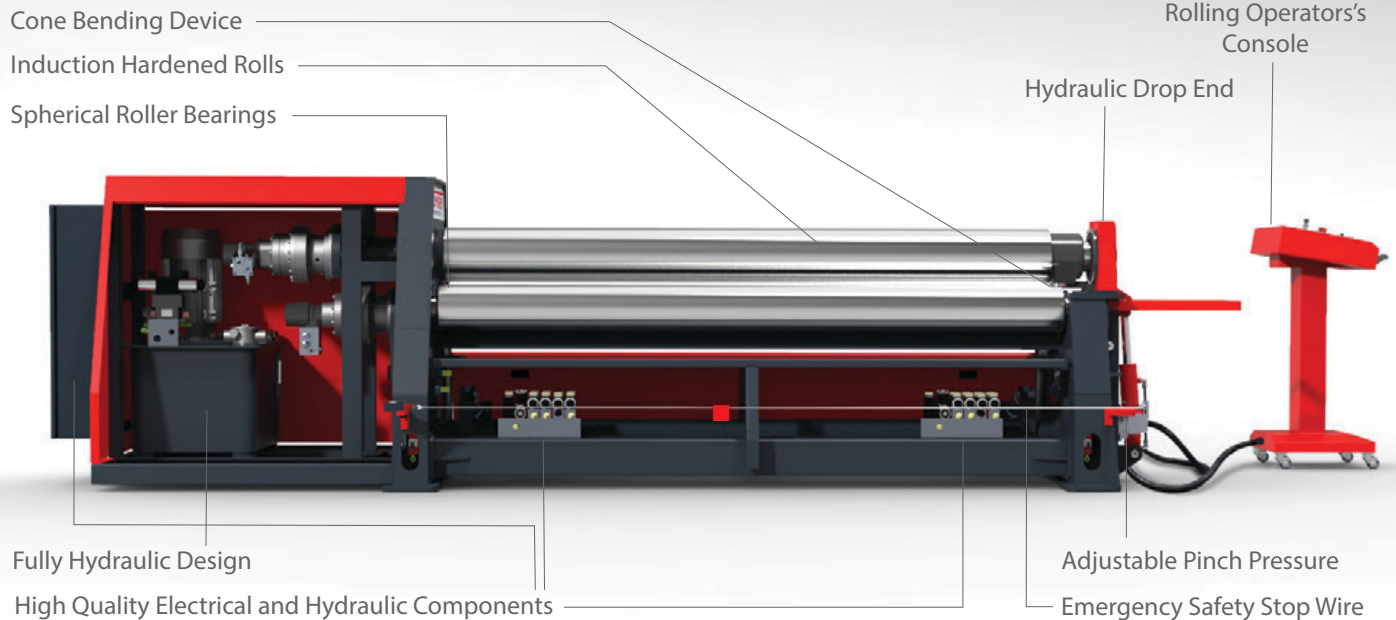
Angle and  
Section Rolls

**SYNERGY**  
BENDING ROLLS

## BENEFITS OF SYNERGY PLATE BENDING ROLLS

- Synergy Plate Bending Rolls, produced in Turkey, are the result of decades of combined experience.
- Synergy incorporates the most desirable functions, features and top-quality components at a price-point that enables small to intermediate size fabricators and job shops to afford a quality, reliable, plate bending roll.
- Hardened and ground rolls
- Cone bending attachment
- Panasonic PLC Control w/ Digital Readouts
- Fully hydraulic operation
- Two speed selectable drive
- Full drive torque throughout the speed range
- High quality and easily serviceable components
- Pre-Bending Capacity rated at 1.5X the top roll
- 2 Year Parts, 1 Year Labor warranty
- Owner's Manual, Tool Kit, Basic Operation Video
- Lifetime free technical support by phone or email

## Standard Features



## Stable and Robust Machine Body

- Machine body, frame and steel bar connections are stress relieved after all welding operations.
- The entire frame is machined on a 5 axes CNC machining centers with single reference fixture.
- The parallelism of all axes and the surfaces of the machine are maintained, which ensures the long lasting precision of all critical machine characteristics.

## Strengthened Guiding Systems

- Rolls are journaled in spherical roller bearings. The guiding system requires less lubrication and keeps its precision in the long term.

## ENGINEERING AND PRODUCTION ADVANTAGES

The mechanical and hydraulic systems on Synergy AH4 bending rolls are designed by experienced engineers. These engineers design the machines utilizing parametric 3D CAD technology as well as implementation of static and mechanical analysis.

All mechanical, hydraulic, and electronic systems are designed and tested by their electrical and mechanical engineers. Only following lengthy testing and evaluation are the machines authorized to be manufactured in serial production.



### PLC Control System (Standard)

The PLC control system ensures the machine's lower and side rolls synchronous operation. This process is controlled by the PLC with 6-axis control and a touch screen operator panel. In addition, ease of use and time saving are provided by the ability to program up to 5 set points of previously determined bending values.

## Trilogy Machinery Advantages



### DEDICATION

Trilogy is a team of over 13 dedicated and energetic professionals ready to assist with your Metal Fabricating Machinery needs.



### SOLUTIONS

We offer solutions to your Metal Fabricating Machinery needs. Our sales technicians are all factory-trained to assist with providing the correct machine for your job.



### UNLIMITED SUPPORT

We service what we sell! Trilogy has a massive stock of spare parts and we also offer world renowned technical support by our factory-trained technicians. Customers get free phone support for the life of the machine.



### NATIONWIDE DEALERS

In addition to the service and support provided direct from Trilogy, we also have an extensive network of local dealers that are ready to help with on-site service, sales and support.



## Contact Information



### Office and Showroom

4610 Mercedes Drive, Belcamp, Maryland 21017

PO Box 70, Belcamp, Maryland USA 21017



410.272.3600 | 888.988.7655



FAX 410.272.3601



[inquiry@trilogymachinery.com](mailto:inquiry@trilogymachinery.com)



[www.TrilogyMachinery.com](http://www.TrilogyMachinery.com)

888.988.7655

